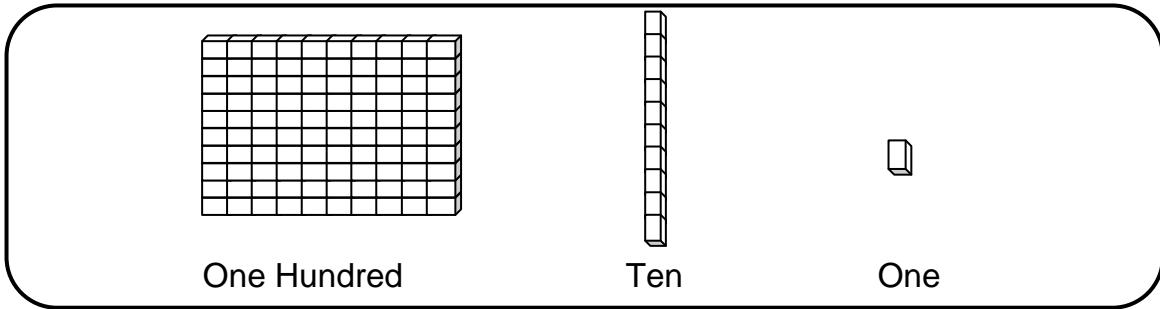
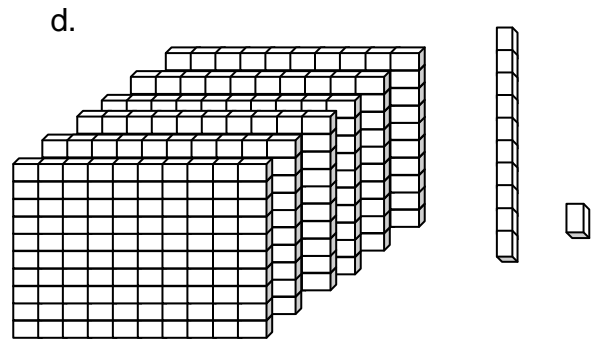
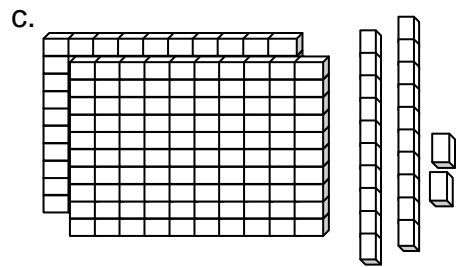
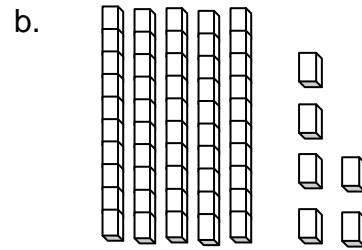
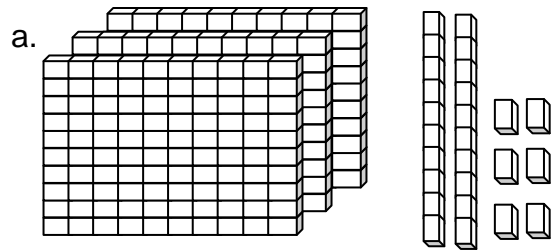


# Place Value



Write each number in standard form.



e.  $250 + 100 + 7$

---

f.  $110 + 50 + 19$

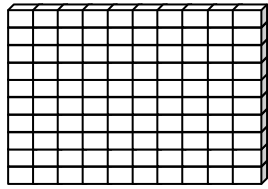
---

g.  $96 + 3$

---

h.  $750 + 20$

---

**Place Value ANSWER KEY**

One Hundred

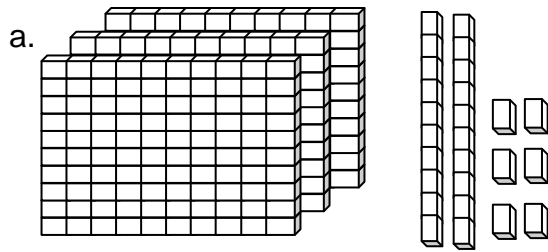
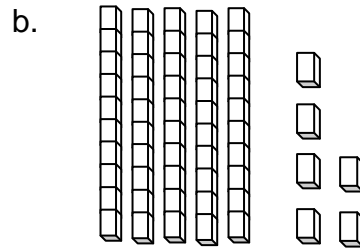
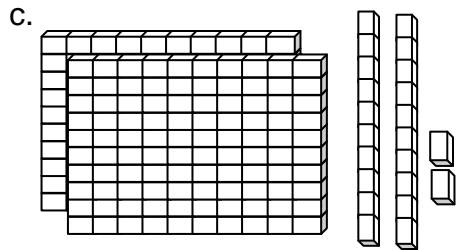
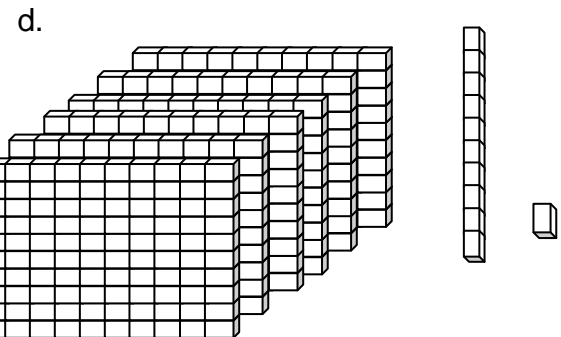


Ten



One

Write each number in standard form.

**326****56****222****611**

e.  $250 + 100 + 7$

**357**

f.  $110 + 50 + 19$

**179**

g.  $96 + 3$

**99**

h.  $750 + 20$

**770**